

## 5.2 T858 PA PCB

This section contains the following information.

IPN	Section	Page
<b>220-01141-01</b>	Parts List	5.2.3
	Mechanical & Miscellaneous Parts	5.2.5
	Grid Reference Index	5.2.7
	PCB Layout - Bottom Side	5.2.9
	PCB Layout - Top Side	5.2.10
	RF Section Circuit Diagram	5.2.11
	Control Section Circuit Diagram	5.2.12



## T858 Parts List (IPN 220-01141-01)

### How To Use This Parts List

The components listed in this parts list are divided into two main types: those with a circuit reference (e.g. C2, D1, R121, etc) and those without (miscellaneous and mechanical).

Those with a circuit reference are grouped in alphabetical order and then in numerical order within each group. Each component entry comprises three or four columns: the circuit reference, variant (if applicable), IPN and description. A number in the variant column indicates that this is a variant component which is fitted only to the product type listed.

The miscellaneous and mechanical section lists the variant and common parts in IPN order.

### Parts List Amendments

C33,C52 & C58 (Low Band) changed from 8p2 (029-01820-02) to 10p (89/06-341).  
 R67 Changed from 4K7 (036-14470-00) to 10K (89/06-341).  
 R99 2K7 added in series with RV63 (89/06-341).  
 R100 4K7 added in series with RV63 (89/06-341).  
 C62 (Low Band) changed from 3p3 (015-01330-02) to 3p9 (89/07-411).  
 C63 & C65 (Low Band) changed from 10p (029-02100-01) to 12p (89/07-411).  
 C66 (Low Band) changed from 4p7 (029-01470-02) to 5p6 (89/07-411).  
 C70 (Low Band) changed from 3p9 (015-01390-02) to 4p7 (89/07-411).  
 L42 (Low Band) changed from 1T/3.0mm (052-08330-10) to 1T/4.0mm (89/07-411).  
 L45 (Low Band) changed from 2T/3.5mm (052-08335-20) to 2T/4.5mm (89/07-411).  
 L46 (Low Band) changed from 2T/4.0mm (052-08330-10) to 2T/4.5mm (89/07-411).  
 L47 (Low Band) changed from 2T/3.5mm (052-08335-20) to 2T/4.0mm (89/07-411).  
 L14,L15 & L23 Inductor Tait No.545 added. To remove heat sources from PCB (89/08-438).  
 C33,C52 & C58 (Mid Band) changed from 3p3 (015-01330-02) to 3p9 Case Mica type (89/08-460).  
 R47 Changed from 100K (036-16100-00) to 47K. To improve control range of forward power alarm (89/09-506).  
 R93 Change from 10K (036-15100-00) to 4K7. To raise limits of reverse power alarm switching point (3/10/89).  
 L27 & L31 Changed from 1.5T/6.0mm (052-08160-15) to 2.5T/6.0mm. To reduce heating in base ferrite beads (89/10-568).  
 R1 & R3 (Low Band) changed from 270e (030-03270-00) to 150e. To reduce power into the driver (90/07-341).  
 R2 (Low Band) changed from 18e (030-02180-00) to 39e. To reduce power into the driver (90/07-341).  
 L1 (Low Band) changed from 1T/3.0mm (052-08330-10) to 1T/4.0mm. To meet rated power (90/10-534).  
 C80 & C86 150p deleted. To prevent 800kHz instability (94/05-234).  
 R11 Changed from 100e (030-03100-00) to SOT (Min value 22e). To reduce gain in drive stage (96/07-7104).

Ref	Var	IPN	Description	Ref	Var	IPN	Description
C1		015-02120-02	CAP CER HIQ 1210 CHIP 12P 5% NPO 200V	*C42	LOW	029-02330-02	CAP MICA 5MM CASE 33P 5%
C2		015-02180-02	CAP CER HIQ 1210 CHIP 18P 5% NPO 200V	*C42	MID	029-02270-02	CAP MICA 5MM CASE 27P 5%
C3		015-02220-02	CAP CER HIQ 1210 CHIP 22P 5% NPO 200V	*C42	HI	029-02220-02	CAP MICA 5MM CASE 22P 5%
C6		015-03100-02	CAP CER HIQ 1210 CHIP 100P 5% NPO 200V	*C43	LOW	029-02330-02	CAP MICA 5MM CASE 33P 5%
C7		015-02150-02	CAP CER HIQ 1210 CHIP 15P 5% NPO 200V	*C43	MID	029-02330-02	CAP MICA 5MM CASE 33P 5%
CV8		028-02200-01	CAP TRIM 4/20P N750 TOP ADJ RED MUR TZ	*C43	HI	029-02270-02	CAP MICA 5MM CASE 27P 5%
C11		015-02220-02	CAP CER HIQ 1210 CHIP 22P 5% NPO 200V	C45		015-03100-02	CAP CER HIQ 1210 CHIP 100P 5% NPO 200V
C12		015-02180-02	CAP CER HIQ 1210 CHIP 18P 5% NPO 200V	C46		015-03100-02	CAP CER HIQ 1210 CHIP 100P 5% NPO 200V
C15		015-03100-02	CAP CER HIQ 1210 CHIP 100P 5% NPO 200V	*C47	LOW	029-02330-02	CAP MICA 5MM CASE 33P 5%
C16		015-24470-08	CAP CER 0805 CHIP 4N7 10% X7R 50V	*C47	MID	029-02270-02	CAP MICA 5MM CASE 27P 5%
C17		020-07470-04	CAP ELECT RADL 4M7 25V 20% 8X13MM SOLID	*C47	HI	029-02220-02	CAP MICA 5MM CASE 22P 5%
C18		015-24470-08	CAP CER 0805 CHIP 4N7 10% X7R 50V	*C49	LOW	029-02330-02	CAP MICA 5MM CASE 33P 5%
C19		020-07470-04	CAP ELECT RADL 4M7 25V 20% 8X13MM SOLID	*C49	MID	029-02330-02	CAP MICA 5MM CASE 33P 5%
C20		015-03100-02	CAP CER HIQ 1210 CHIP 100P 5% NPO 200V	*C49	HI	029-02270-02	CAP MICA 5MM CASE 27P 5%
C22		015-02680-02	CAP CER HIQ 1210 CHIP 68P 5% NPO 200V	C50		029-03100-02	CAP MICA 5MM CASE 100P 5%
C23		029-02270-02	CAP MICA 5MM CASE 27P 5%	CV51		028-02100-03	CAP TRIM 2/10P JOHNSON 187-0106-175
C24		029-02330-02	CAP MICA 5MM CASE 33P 5%	*C52	LOW	029-02100-02	CAP MICA 5MM CASE 10P 5%
*C27	LOW	029-02330-02	CAP MICA 5MM CASE 33P 5%	*C52	MID	029-01390-02	CAP MICA 5MM CASE 3P9 5%
*C27	MID	029-02270-02	CAP MICA 5MM CASE 27P 5%	*C52	HI		NOT FITTED
*C27	HI	029-02270-02	CAP MICA 5MM CASE 27P 5%	C54		015-24470-08	CAP CER 0805 CHIP 4N7 10% X7R 50V
*C28	LOW	029-02330-02	CAP MICA 5MM CASE 33P 5%	C55		020-07470-04	CAP ELECT RADL 4M7 25V 20% 8X13MM SOLID
*C28	MID	029-02330-02	CAP MICA 5MM CASE 33P 5%	C56		029-03100-02	CAP MICA 5MM CASE 100P 5%
*C28	HI	029-02220-02	CAP MICA 5MM CASE 22P 5%	CV57		028-02100-03	CAP TRIM 2/10P JOHNSON 187-0106-175
C29		029-03100-02	CAP MICA 5MM CASE 100P 5%	*C58	LOW	029-02100-02	CAP MICA 5MM CASE 10P 5%
CV32		028-02100-03	CAP TRIM 2/10P JOHNSON 187-0106-175	*C58	MID	029-01390-02	CAP MICA 5MM CASE 3P9 5%
*C33	LOW	029-02100-02	CAP MICA 5MM CASE 10P 5%	*C58	HI		NOT FITTED
*C33	MID	029-01390-02	CAP MICA 5MM CASE 3P9 5%	C60		015-23150-01	CAP CER 0805 CHIP 150P 5% NPO 50V
*C33	HI		NOT FITTED	C61		015-24470-08	CAP CER 0805 CHIP 4N7 10% X7R 50V
CV34		028-02100-03	CAP TRIM 2/10P JOHNSON 187-0106-175	*C62	LOW	015-01390-02	CAP CER HIQ 1210 CHIP 3P9 5% NPO 200V
CV35		028-02100-03	CAP TRIM 2/10P JOHNSON 187-0106-175	*C62	MID	015-01330-02	CAP CER HIQ 1210 CHIP 3P3 5% NPO 200V
C36		029-02270-02	CAP MICA 5MM CASE 27P 5%	*C62	HI	015-01330-02	CAP CER HIQ 1210 CHIP 3P3 5% NPO 200V
C37		029-02270-02	CAP MICA 5MM CASE 27P 5%	*C63	LOW	029-02120-01	CAP MICA 10MM CASE 12P 5%
C40		029-02270-02	CAP MICA 5MM CASE 27P 5%	*C63	MID	029-02100-01	CAP MICA 10MM CASE 10P 10%
C41		029-02270-02	CAP MICA 5MM CASE 27P 5%	*C63	HI	029-02100-01	CAP MICA 10MM CASE 10P 10%

Ref	Var	IPN	Description	Ref	Var	IPN	Description
*C65	LOW	029-02120-01	CAP MICA 10MM CASE 12P 5%	*L46	LOW	052-08345-20	COIL A/W 2T/4.5MM SMD 0.8MM WIRE
*C65	MID	029-02100-01	CAP MICA 10MM CASE 10P 10%	*L46	MID	052-08340-20	COIL A/W 2T/4.0MM SMD 0.8MM WIRE
*C65	HI	029-02100-01	CAP MICA 10MM CASE 10P 10%	*L46	HI	052-08340-20	COIL A/W 2T/4.0MM SMD 0.8MM WIRE
*C66	LOW	029-01560-02	CAP MICA 5MM CASE 5P6 5%	*L47	LOW	052-08340-20	COIL A/W 2T/4.0MM SMD 0.8MM WIRE
*C66	MID	029-01470-02	CAP MICA 5MM CASE 4P7 5%	*L47	MID	052-08335-20	COIL A/W 2T/3.5MM SMD 0.8MM WIRE
*C66	HI	029-01470-02	CAP MICA 5MM CASE 4P7 5%	*L47	HI	052-08335-20	COIL A/W 2T/3.5MM SMD 0.8MM WIRE
C67		015-21220-01	CAP CER 0805 CHIP 2P2 +/-0.25P NPO 50V	L49		056-00021-04	IND FXD 330NH AXIAL
C68		015-21220-01	CAP CER 0805 CHIP 2P2 +/-0.25P NPO 50V	L51		056-00021-04	IND FXD 330NH AXIAL
*C70	LOW	015-24470-01	CAP CER 0805 CHIP 4P7 +/-0.25P NPO 50V	L52		051-00005-53	COIL TAIT NO 553 A/W 10MM LINK T858/9
*C70	MID	015-21390-01	CAP CER 0805 CHIP 3P9 +/-0.25P NPO 50V	Q1		000-00022-70	(S) XSTR SD1134 NPN STUD MTG UHF PWR 2W
*C70	HI	015-21390-01	CAP CER 0805 CHIP 3P9 +/-0.25P NPO 50V	Q3		000-00022-75	(S) XSTR SD1433 NPN STUD MTG UHF PWR 10W
C72		015-24470-08	CAP CER 0805 CHIP 4N7 10% X7R 50V	Q4		000-00022-80	(S) XSTR SD1488 NPN 6LFL UHF PWR 40W
C73		015-23150-01	CAP CER 0805 CHIP 150P 5% NPO 50V	Q6		000-00022-80	(S) XSTR SD1488 NPN 6LFL UHF PWR 40W
C76		015-24470-08	CAP CER 0805 CHIP 4N7 10% X7R 50V	Q7		000-00022-80	(S) XSTR SD1488 NPN 6LFL UHF PWR 40W
C77		015-23150-01	CAP CER 0805 CHIP 150P 5% NPO 50V	Q10		000-00020-70	(S) XSTR BS170 JFET TO-92 SMALL SIG
C78		015-23150-01	CAP CER 0805 CHIP 150P 5% NPO 50V	Q11		000-10008-17	(S) XSTR SMD BC817-25 NPN SOT-23 AF LO PWR
C81		015-23150-01	CAP CER 0805 CHIP 150P 5% NPO 50V	Q12		000-00020-70	(S) XSTR BS170 JFET TO-92 SMALL SIG
C84		015-24470-08	CAP CER 0805 CHIP 4N7 10% X7R 50V	Q13		000-10008-17	(S) XSTR SMD BC817-25 NPN SOT-23 AF LO PWR
C85		015-23150-01	CAP CER 0805 CHIP 150P 5% NPO 50V	Q15		000-10008-17	(S) XSTR SMD BC817-25 NPN SOT-23 AF LO PWR
C87		015-23150-01	CAP CER 0805 CHIP 150P 5% NPO 50V	Q16		000-00030-95	(S) XSTR 2N6107 PNP TO-220 AF PWR
C90		015-06100-08	CAP CER 1206 CHIP 100N 10% X7R 50V				
C91		025-08100-02	CAP TANT BEAD 10M 10% 16V				
C92		015-25100-08	CAP CER 0805 CHIP 10N 10% X7R 50V	*R1	LOW	032-33150-02	RES M/F PWR 150E 5% 1W 8X2.5MM 12MML/S
C93		015-23150-01	CAP CER 0805 CHIP 150P 5% NPO 50V	*R1	MID	030-03270-00	RES FILM 270E 5% 0.25W 7X2.5MM
C95		015-06100-08	CAP CER 1206 CHIP 100N 10% X7R 50V	*R1	HI	030-03470-00	RES FILM 470E 5% 0.25W 7X2.5MM
C96		015-23150-01	CAP CER 0805 CHIP 150P 5% NPO 50V	*R2	LOW	032-32390-02	RES M/F PWR 39E 5% 1W 8X2.5MM 12MML/S
C97		015-23150-01	CAP CER 0805 CHIP 150P 5% NPO 50V	*R2	MID	030-02180-00	RES FILM 18E 5% 0.25W 7X2.5
C98		015-24470-08	CAP CER 0805 CHIP 4N7 10% X7R 50V	*R2	HI	030-02120-00	RES FILM 12E 5% 0.25W 7X2.5W
C99		015-23150-01	CAP CER 0805 CHIP 150P 5% NPO 50V	*R3	LOW	030-03150-00	RES FILM 150E 5% 0.25W 7X2.5MM
C100		015-23150-01	CAP CER 0805 CHIP 150P 5% NPO 50V	*R3	MID	030-03270-00	RES FILM 270E 5% 0.25W 7X2.5MM
C101		015-25100-08	CAP CER 0805 CHIP 10N 10% X7R 50V	*R3	HI	030-03470-00	RES FILM 470E 5% 0.25W 7X2.5MM
C102		015-23150-01	CAP CER 0805 CHIP 150P 5% NPO 50V	R7		030-02100-00	RES FILM 10E 5% 0.25W 7X2.5MM
C103		015-23150-01	CAP CER 0805 CHIP 150P 5% NPO 50V	R8		032-33100-00	RES M/F PWR 100E 5% 1W 10X4MM
C104		015-24470-08	CAP CER 0805 CHIP 4N7 10% X7R 50V	R11		030-03100-00	RES FILM 100E 5% 0.25W 7X2.5MM
C105		015-23150-01	CAP CER 0805 CHIP 150P 5% NPO 50V	R30		030-03100-00	RES FILM 100E 5% 0.25W 7X2.5MM
C106		015-23150-01	CAP CER 0805 CHIP 150P 5% NPO 50V	R31		030-03100-00	RES FILM 100E 5% 0.25W 7X2.5MM
C107		015-06100-08	CAP CER 1206 CHIP 100N 10% X7R 50V	R32		030-02820-00	RES FILM 82E 5% 0.25W 7X2.5MM
C108		015-23150-01	CAP CER 0805 CHIP 150P 5% NPO 50V	R33		030-02820-00	RES FILM 82E 5% 0.25W 7X2.5MM
C109		015-23150-01	CAP CER 0805 CHIP 150P 5% NPO 50V	R36		036-13680-00	RES M/F 0805 CHIP 680E 5%
C110		015-01470-02	CAP CER HIQ 1210 CHIP 4P7 5% NPO 200V	R38		036-17100-00	RES M/F 0805 CHIP 1M 5%
C111		015-23150-01	CAP CER 0805 CHIP 150P 5% NPO 50V	R39		036-16100-00	RES M/F 0805 CHIP 100K 5%
C112		015-23150-01	CAP CER 0805 CHIP 150P 5% NPO 50V	R42		036-15100-00	RES M/F 0805 CHIP 10K 5%
C113		015-23150-01	CAP CER 0805 CHIP 150P 5% NPO 50V	RV43		042-05470-09	RES PRESET 50K CERMET 9.5MM SQ FLAT
D1		001-00013-45	(S) DIODE SCHOTTKY 1SS97/2	R44		036-14470-00	RES M/F 0805 CHIP 4K7 5%
D2		001-00013-45	(S) DIODE SCHOTTKY 1SS97/2	R47		036-15470-00	RES M/F 0805 CHIP 47K 5%
D3		001-00011-60	(S) DIODE SR2607 6A/30V	RV48		042-04500-08	RES PRESET 5K CERMET 9.5MM SQ FLAT
D5		008-00013-32	(S) LED 3MM RED LO CURRENT NO MTG	R49		036-13680-00	RES M/F 0805 CHIP 680E 5%
D6		001-10000-70	(S) DIODE SMD BAV70 DUAL SW SOT-23 COMCTH	R50		036-13680-00	RES M/F 0805 CHIP 680E 5%
D10		008-00013-35	(S) LED 3MM GREEN LO CURRENT NO MTG	RV52		042-04500-08	RES PRESET 5K CERMET 9.5MM SQ FLAT
D11		008-00013-32	(S) LED 3MM RED LO CURRENT NO MTG	R55		036-17100-00	RES M/F 0805 CHIP 1M 5%
D13		001-10000-70	(S) DIODE SMD BAV70 DUAL SW SOT-23 COMCTH	R56		036-15100-00	RES M/F 0805 CHIP 10K 5%
D17		001-10000-70	(S) DIODE SMD BAV70 DUAL SW SOT-23 COMCTH	RV57		042-05470-09	RES PRESET 50K CERMET 9.5MM SQ FLAT
IC1		002-10003-24	(S) IC SMD 324 QUAD OP AMP SO14	R58		036-14470-00	RES M/F 0805 CHIP 4K7 5%
IC2		002-00014-62	(S) IC 317L 100MA REG 3 TERMINAL TO-92	R61		036-13220-00	RES M/F 0805 CHIP 220E 5%
IC3		002-10003-58	(S) IC SMD LM358 DUAL OP AMP	R62		036-14100-00	RES M/F 0805 CHIP 1K 5%
*L1	LOW	052-08340-10	COIL A/W 1T/4.0MM SMD 0.8MM WIRE	R63		044-04200-03	RES PRESET MULTITURN 2K 10T PNL MTG
*L1	MID	052-08330-10	COIL A/W 1T/3.0MM SMD 0.8MM WIRE	R64		036-14470-00	RES M/F 0805 CHIP 4K7 5%
*L1	HI	052-08330-10	COIL A/W 1T/3.0MM SMD 0.8MM WIRE	R67		036-15100-00	RES M/F 0805 CHIP 10K 5%
L2		052-08160-25	COIL A/W 2.5T/6.0MM HOR 0.8MM WIRE	R68		036-14470-00	RES M/F 0805 CHIP 4K7 5%
L3		065-00010-04	BEAD FERRITE F8 4X2X5MM	RV74		042-05100-10	RES PRESET 10K CERMET 9.5MM SQ FLAT
L5		065-00010-04	BEAD FERRITE F8 4X2X5MM	R77		036-14220-00	RES M/F 0805 CHIP 2K2 5%
L6		052-08160-25	COIL A/W 2.5T/6.0MM HOR 0.8MM WIRE	R78		036-14100-00	RES M/F 0805 CHIP 1K 5%
L7		052-08160-25	COIL A/W 2.5T/6.0MM HOR 0.8MM WIRE	R80		036-13100-00	RES M/F 0805 CHIP 100E 5%
L8		065-00010-04	BEAD FERRITE F8 4X2X5MM	R81		036-14100-00	RES M/F 0805 CHIP 1K 5%
L11		065-00010-04	BEAD FERRITE F8 4X2X5MM	R82		036-14470-00	RES M/F 0805 CHIP 4K7 5%
L12		065-00010-04	BEAD FERRITE F8 4X2X5MM	R83		036-14100-00	RES M/F 0805 CHIP 1K 5%
L13		052-08160-15	COIL A/W 1.5T/6.0MM HOR 0.8MM WIRE	R84		036-14470-00	RES M/F 0805 CHIP 4K7 5%
L14		051-00005-45	COIL IND 18MM FORMED COPPER STRIP	R85		036-14100-00	RES M/F 0805 CHIP 1K 5%
L15		051-00005-45	COIL IND 18MM FORMED COPPER STRIP	R86		036-14100-00	RES M/F 0805 CHIP 1K 5%
L16		065-00010-04	BEAD FERRITE F8 4X2X5MM	R87		036-15100-00	RES M/F 0805 CHIP 10K 5%
L17		065-00010-04	BEAD FERRITE F8 4X2X5MM	R88		036-15100-00	RES M/F 0805 CHIP 10K 5%
L18		051-00005-53	COIL TAIT NO 553 A/W 10MM LINK T858/9	R89		039-02500-01	DUMMY LOAD 50E 1% 10W TO-220 NIKKOHM
L19		051-00005-39	COUPLER WIRELINE TAIT COIL DWG NO 539	R90		039-02500-01	DUMMY LOAD 50E 1% 10W TO-220 NIKKOHM
L21		052-08160-15	COIL A/W 1.5T/6.0MM HOR 0.8MM WIRE	R91		039-02500-01	DUMMY LOAD 50E 1% 10W TO-220 NIKKOHM
L22		065-00010-04	BEAD FERRITE F8 4X2X5MM	R92		036-14100-00	RES M/F 0805 CHIP 1K 5%
L23		051-00005-45	COIL IND 18MM FORMED COPPER STRIP	R93		036-15100-00	RES M/F 0805 CHIP 10K 5%
L25		052-08330-10	COIL A/W 1T/3.0MM SMD 0.8MM WIRE	R94		036-14100-00	RES M/F 0805 CHIP 1K 5%
L26		052-08330-10	COIL A/W 1T/3.0MM SMD 0.8MM WIRE	R95		036-14100-00	RES M/F 0805 CHIP 1K 5%
L27		052-08160-25	COIL A/W 2.5T/6.0MM HOR 0.8MM WIRE	R96		036-14100-00	RES M/F 0805 CHIP 1K 5%
L28		065-00010-04	BEAD FERRITE F8 4X2X5MM	R97		036-14100-00	RES M/F 0805 CHIP 1K 5%
L31		052-08160-25	COIL A/W 2.5T/6.0MM HOR 0.8MM WIRE	R98		036-12100-00	RES M/F 0805 CHIP 10E 5%
L32		065-00010-04	BEAD FERRITE F8 4X2X5MM	R99		036-14270-00	RES M/F 0805 CHIP 2K7 5%
L35		051-00005-53	COIL TAIT NO 553 A/W 10MM LINK T858/9	R100		036-14470-00	RES M/F 0805 CHIP 4K7 5%
L36		065-00010-04	BEAD FERRITE F8 4X2X5MM				
L37		065-00010-04	BEAD FERRITE F8 4X2X5MM	SK1		240-02100-44	SKT COAX MINI JACK PCB MTG ANGLED
L38		051-00005-53	COIL TAIT NO 553 A/W 10MM LINK T858/9				
L39		051-00005-39	COUPLER WIRELINE TAIT COIL DWG NO 539				
L41		056-00021-04	IND FXD 330NH AXIAL				
*L42	LOW	052-08340-10	COIL A/W 1T/4.0MM SMD 0.8MM WIRE	NOTE:	LOW	= 400-440MHZ	
*L42	MID	052-08330-10	COIL A/W 1T/3.0MM SMD 0.8MM WIRE		MID	= 440-480MHZ	
*L42	HI	052-08330-10	COIL A/W 1T/3.0MM SMD 0.8MM WIRE		HI	= 480-520MHZ	
L43		052-08335-10	COIL A/W 1T/3.5MM SMD 0.8MM WIRE				
*L45	LOW	052-08345-20	COIL A/W 2T/4.5MM SMD 0.8MM WIRE				
*L45	MID	052-08335-20	COIL A/W 2T/3.5MM SMD 0.8MM WIRE				
*L45	HI	052-08335-20	COIL A/W 2T/3.5MM SMD 0.8MM WIRE				

## T858 Mechanical & Miscellaneous Parts (220-01141-01)

IPN	Description	IPN	Description
012-04150-01	CAP CER F/THRU 1N5 NO LEAD C1-C15 On 15 Way D Range.	306-01010-00	FERRULE A4M948 HANDLE FXD EQUIP For Handle x2.
051-00006-02	SOLDER SPRING 1.3MM A4M1877 LED1 x2, LED2 x2, LED3 x2.	308-01007-00	HANDLE A4M949 FXD EQUIP
065-00010-13	BEAD FERRITE 7D 1.9*0.9*3.8MM STACK POLE 15 Way D Range x15.	308-13085-00	HSINK A1M2275 T859 50W PA Diecast Chassis.
065-00010-20	BEAD FERRITE BALUN 4B1 PHILIPS Placed On 13.8V Cables At D Range End x1.	308-13086-00	HSINK A3M2271 2MM THICK WIRELINE T859 50W PA Wireline Heatsink x4.
200-00010-05	WIRE T/C 0.5MM 10mm Lengths For Ferrite Beads x12.	316-06366-00	PNL FRT COMPL T858 PA A3M2219/2
201-00030-01	WIRE T/C 7/0.2MM PVC BROWN Fwd Pwr Alm. 1 x410mm.	316-85018-00	PIN A4M1397 COAX CONDUCTOR T316 346 377PA Soldered To N Type Skt x1.
201-00030-02	WIRE T/C 7/0.2MM PVC RED LEDs 1, 2 & 3 x20mm Each.	318-01011-00	RAIL A2M1872 BOTTOM T377 PA Part Of Installation Kit x1.
201-00030-03	WIRE T/C 7/0.2MM PVC ORANGE Rev Pwr Met. 1 x235mm.	318-01012-00	RAIL A3M1873 TOP T377 PA Part Of Installation Kit x1.
201-00030-04	WIRE T/C 7/0.2MM PVC YELLOW Reverse Pwr. 1 x325mm.	319-01147-00	SHIELD A3M2224 WALL T859 PA Goes Around Filter At N Connector End Of Board x1.
201-00030-05	WIRE T/C 7/0.2MM PVC GREEN Fwd Pwr Met. 1 x265mm.	319-01148-00	SHIELD A3M2225 LID T859 PA Goes On Top Of Shield Wall (319-01148-00) Above x1.
201-00030-06	WIRE T/C 7/0.2MM PVC BLUE Tx Key. 1 x410mm.	319-01152-00	SHIELD A3M2250 F/THRU MTG T857 Attached To D Range Plug x1.
201-00030-07	WIRE T/C 7/0.2MM PVC VIOLET Rev Pwr Alm. 1 x410mm.	319-30033-00	SPACER A4M1339 UHF PA Q1 x1, Q3 x1.
201-00030-09	WIRE T/C 7/0.2MM PVC WHITE Temp Sense. 1 x285mm.	345-00040-06	SCREW M3*8MM PAN POZI ST BZ Part Of Installation Kit x2.
201-00030-10	WIRE T/C 7/0.2MM PVC BLACK Fwd Pwr. 1 x310mm, LEDs 1, 2 & 3 x25mm Each.	345-00040-09	SCREW M3*6MM CSK POZI TRUNCATED HEAD ST BZ Part Of Installation Kit x4.
201-00050-12	CABLE AUTO 152 RED 28/0.3MM PVC 13.8v. 1 x290mm, 1 x220mm.	345-00040-16	SCREW M3X20MM PAN POZI ST BZ D Range x2.
201-00050-20	CABLE AUTO 152 BLACK 28/0.3MM PVC Ground. 1 x40mm.	345-00040-20	SCREW M3*8MM BUTTON SKT HD BLACK ZINC PHOS Front Panel x4.
206-00010-11	CABLE COAX 50 OHM RG316-U PTFE 190mm SK1/Front Panel x1.	349-00020-07	SCREW 4-40 X 5/16 PAN POZI TAPTITE BLACK Top Cover x18, PCB Mounting x12, N Type x4, Q16 x1, Blanking Cover x2, R89 - R91 x1 Ea., Q4, Q6 & Q7 x2 Ea.
220-01141-01	PCB T858 50W PA	349-00020-35	SCREW TAPTITE M3X16MM PAN POZI BZ Wireline Heatsink x4.
220-01152-00	PCB T858/859 DIRNL COUPLER	352-00010-29	NUT M4 NYLOC HEX For Handle x2.
240-00010-55	PLUG 15 WAY D RANGE WIRE WRAP PINS PNL MTG	352-00010-35	NUT 8-32 UNC HEX RF PWR XSTR MTG Q1 x1, Q3 x1.
240-00100-43	PLUG COAX MINI PIN PLUG CRIMP 1.5D COAX Connects Coax Cable To Sk1 x1.	353-00010-10	WASHER M3 FLAT 7MM*0.6MM ST BZ Q16 x1.
240-00100-46	PLUG COAX PNL JACK SUHNER 24 SMC50-2-10C Input Drive On Front Panel x1.	356-00010-01	TAG SOLDER 3MM SHORT M6132/3.2 Q4, Q6 & Q7 x2 Each
240-02010-54	SKT 15WAY D RANGE PNL MTG 125 DEG C Part of Installation Kit x1.	356-00010-03	TAG SOLDER 3MM LONG M614/3.2 Loom Restraints x5. D Range Earthing x2.
240-02100-06	SKT COAX N TYPE PNL MTG OPEN TERMN	360-00010-41	BUSH SHORTY BLACK HEYCO B-187-125 For Power Adjustment Hole On Front Panel x1
240-06010-14	CLAMP LATCHING 15 WAY D RANGE Part Of Installation Kit x1.	362-00010-07	GASKET SIL INSULATING TO-220 Q16 x1.
240-06010-15	BLOCK LATCHING 15WAY D RANGE For Securing D Range To Rear x2.	362-00010-13	BUSH INSULATING 1.1MM TOP HAT Q16 x1.
303-23117-00	COVER COMPL A2M2223/2 A2M2223/1 SIDE	362-00010-33	GROMMET LED MTG 3MM LO CURRENT LEDS Used To Secure LEDs to Front Panel x3.
303-23120-00	COVER A3M2288 HOLE BLANKING T858 On Rear Next To N Type Connector x1.	365-00011-53	LABEL WHITE RW2365/1 104*37mm SPECIAL ADHSIVE Item Description On Outside Of Box x1.
303-50005-00	CONTACT A4M2311 SPRING EARTH T858 Solders On To Shield Lid (319-01148-00) x1.		

---

<b>IPN</b>	<b>Description</b>	<b>IPN</b>	<b>Description</b>
365-00100-20	LABEL WHITE S/A 28X11mm QUIKSTIK RW718/4 Rev No x1, 'Test Report Inside' x1.		
365-01391-01	LABEL 30*10.8mm TAMPERMARK VOID MATT FCC ID x1, Aust DOTC Cert x2, Can DOC x1, Ser No x1.		
365-01391-01	LABEL 24*12mm CE CONFORMITY		
369-00010-14	TIE CABLE NYLON 100*2.6MM For Looms x6.		
399-00010-56	BAG PLASTIC 200*250MM		
400-00020-07	SLEEVING 2MM SIL RUBBER For Solder Tags Used as Loom Restraints. 5 x25mm. For LEDs. 6 x35mm.		
410-01081-00	CRTN T800 MODULE KIWI REF22860 PRTD		
410-01082-00	CRTN 10 T800 KIWI REF24417 423X410X360		

## T858 Grid Reference Index (IPN 220-01141-01)

### How To Use This Grid Reference Index

The first digit in the PCB layout reference is a "1" or "2", indicating the top or bottom side layout respectively, and the last two characters give the location of the component on that diagram.

The first digit in the circuit diagram reference is the sheet number, and the last two characters give the location of the component on that sheet.

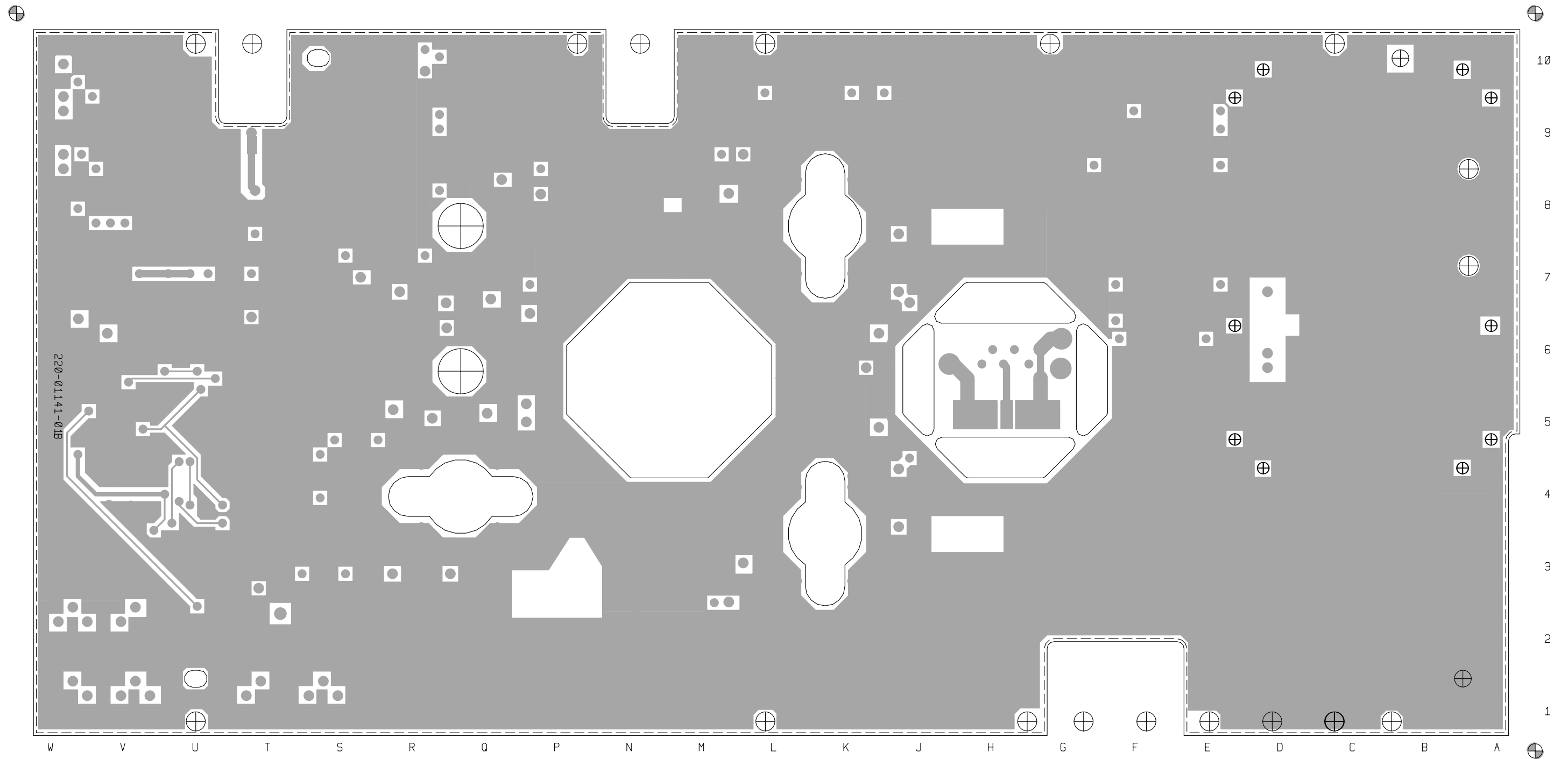
Device	PCB	Circuit	Device	PCB	Circuit	Device	PCB	Circuit	Device	PCB	Circuit
C1	1:Q9	1-C7	C85	1:V9	2-C5	L16	1:S4	1-D3	R30	1:G9	1-M4
C2	1:Q9	1-C6	C86	1:V5	2-F4	L17	1:S3	1-D3	R31	1:E7	1-N5
C3	1:R9	1-C6	C87	1:S2	2-G3	L18	1:R3	1-D2	R32	1:D6	1-Q4
C6	1:S8	1-D7	C90	1:V7	2-K5	L19	1:N6	1-F3	R33	1:D6	1-Q4
C7	1:Q7	1-E7	C91	1:W8	2-N5	L21	1:P5	1-C1	R36	1:W9	2-C6
CV8	1:R7	1-E7	C92	1:U5	2-N5	L22	1:P6	1-C1	R38	1:V5	2-E7
C11	1:R6	1-A1	C93	1:U5	2-N5	L23	1:K4	1-K2	R39	1:V5	2-E6
C12	1:Q6	1-A1	C95	1:V5	2-H1	L25	1:M3	1-F2	R42	1:V5	2-F7
C15	1:S5	1-B2	C96	1:U5	2-N3	L26	1:M9	1-F4	RV43	1:V1	2-G7
C16	1:S5	1-C3	C97	1:K10	1-J1	L27	1:L9	1-G4	R44	1:U4	2-H6
C17	1:T6	1-C3	C98	1:L10	1-J1	L28	1:M9	1-G4	R47	1:V4	2-F6
C18	1:S2	1-D3	C99	1:U5	2-M2	L31	1:M3	1-G2	RV48	1:W1	2-F6
C19	1:T3	1-D3	C100	1:T5	2-N4	L32	1:M2	1-G1	R49	1:W10	2-C6
C20	1:S3	1-E3	C101	1:V3	2-P2	L35	1:J7	1-J4	R50	1:W8	2-D6
C22	1:Q5	1-B2	C102	1:U8	2-Q5	L36	1:J6	1-J4	RV52	1:T1	2-F5
C23	1:Q5	1-C2	C103	1:U8	2-Q4	L37	1:J5	1-J3	R55	1:V5	2-E4
C24	1:R5	1-C2	C104	1:U7	2-R6	L38	1:J4	1-J3	R56	1:V5	2-F4
*C27	1:Q3	1-D2	C105	1:T9	2-R5	L39	1:H6	1-L4	RV57	1:S1	2-F4
*C28	1:R3	1-D2	C106	1:T8	2-R5	L41	1:F9	1-N4	R58	1:U5	2-H5
C29	1:P3	1-E2	C107	1:U4	2-H8	*L42	1:D7	1-P4	R61	1:V8	2-L5
CV32	1:P2	1-E2	C108	1:T4	2-J7	L43	1:C6	1-Q4	R62	1:V8	2-L5
*C33	1:P3	1-F2	C109	1:T4	2-J4	*L45	1:C8	1-P5	RV63	1:V6	2-M5
CV34	1:M4	1-G2	C110	1:G3	1-L3	*L46	1:C9	1-P5	R64	1:T5	2-N5
CV35	1:M8	1-G5	C111	1:W10	2-A7	*L47	1:B8	1-Q5	R67	1:V3	2-M4
C36	1:L8	1-G4	C112	1:V9	2-B5	L49	1:F6	1-M6	R68	1:U4	2-L3
C37	1:L8	1-H4	C113	1:V3	2-N4	L51	1:L10	1-J1	RV69	1:V2	2-M3
C40	1:L4	1-G2	D1	1:F6	1-M5	L52	1:C7	1-P4	R72	1:K10	1-H1
C41	1:L3	1-H2	D2	1:E9	1-N4	PL1	1:G5	2-A3	R73	1:U4	2-N2
*C42	1:K4	1-J2	D3	1:T2	2-A2			2-A2	RV74	1:W2	2-P2
*C43	1:K3	1-J2	D5	1:W9	2-C7			2-A2	R77	1:U6	2-P6
C45	1:K4	1-J3	D6	1:U2	2-G6			2-A2	R78	1:U8	2-Q5
C46	1:K7	1-J4			2-G6			2-A3	R80	1:U8	2-Q6
*C47	1:K8	1-J4	D10	1:W10	2-C5			2-A8	R81	1:V4	2-D7
*C49	1:K8	1-J4	D11	1:W9	2-D5			2-A8	R82	1:V4	2-D7
C50	1:H8	1-K5	D13	1:R2	2-F3			2-A1	R83	1:V5	2-D4
CV51	1:H8	1-L4			2-F3			2-A1	R84	1:V5	2-D5
*C52	1:J8	1-K4	D17	1:V3	2-N4			2-A1	R85	1:U4	2-F4
C54	1:K6	1-K3			2-M4			2-A1	R86	1:U4	2-G7
C55	1:K6	1-K3	IC1	1:U5	2-H1			2-A0	R87	1:T4	2-J7
C56	1:H4	1-L2			2-F7			2-A5	R88	1:T5	2-J4
CV57	1:H3	1-L2			2-E5			2-A3	R89	1:N10	1-F3
*C58	1:J3	1-K2			2-N5			2-A7	R90	1:G1	1-M3
C60	1:E9	1-N4			2-N3	Q1	1:Q8	1-D7	R91	1:F1	1-M3
C61	1:F9	1-N4	IC2	1:V8	2-K5	Q3	1:Q6	1-B2	R92	1:S1	2-D3
*C62	See Note	1-P4	IC3	1:T4	2-J8	Q4	1:Q4	1-D2	R93	1:U1	2-F6
*C63	1:C9	1-P5			2-H7	Q6	1:K8	1-H5	R94	1:U2	2-F8
*C65	1:C9	1-Q5			2-H4	Q7	1:K4	1-H2	R95	1:U4	2-M2
*C66	1:B8	1-Q4	* L1	1:R9	1-C6	Q10	1:V10	2-B7	R96	1:T4	2-K7
C67	See Note	1-P4	L2	1:P8	1-D6	Q11	1:V10	2-D7	R97	1:T5	2-K5
C68	1:D7	1-P4	L3	1:P9	1-D5	Q12	1:V9	2-C5	R98	1:W8	2-M5
*C70	1:D6	1-Q4	L5	1:T8	1-D8	Q13	1:V9	2-D5	R99	1:W7	2-M5
C72	1:E6	1-M6	L6	1:R7	1-D7	Q15	1:U8	2-Q5	R100	1:W7	2-M5
C73	1:F6	1-M5	L7	1:P7	1-E6	Q16	1:T10	2-R5	SK1	1:R10	1-A7
C76	1:V10	2-B7	L8	1:P8	1-E6	*R1	1:R10	1-B6			
C77	1:V10	2-C7	L11	1:T7	1-B4	*R2	1:R10	1-B7			
C78	1:U10	2-D6	L12	1:S5	1-B3	*R3	1:R9	1-B6			
C80	1:V5	2-F7	L13	1:R5	1-B2	R7	1:R8	1-C6			
C81	1:U2	2-G6	L14	1:Q3	1-E2	R8	1:S7	1-D7			
C84	1:V9	2-C5	L15	1:K8	1-K5	R11	1:R6	1-F7			

**Note:**

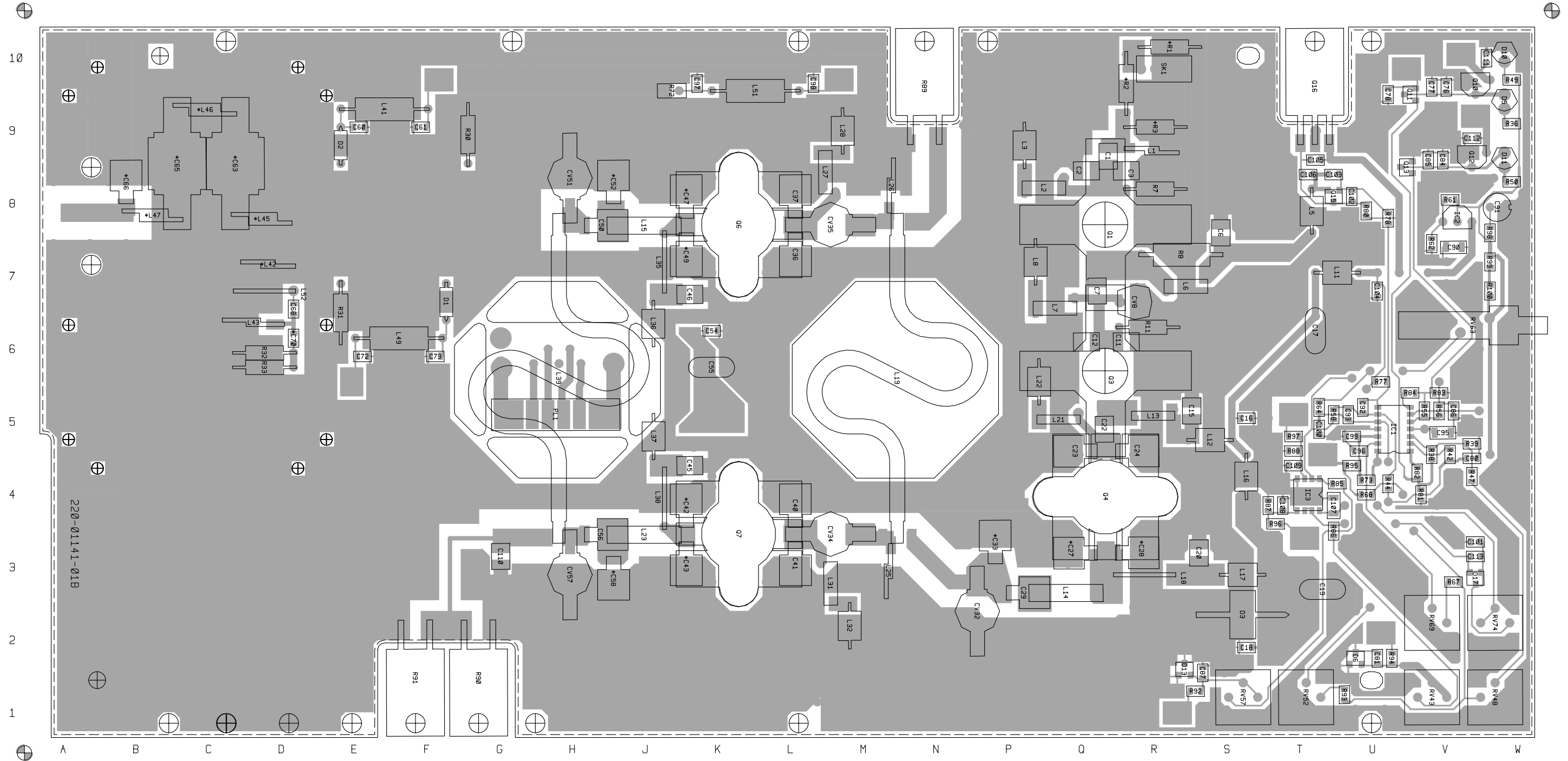
\*C62 & C67 are mounted on the Directional Coupler PCB (220-01152-00).



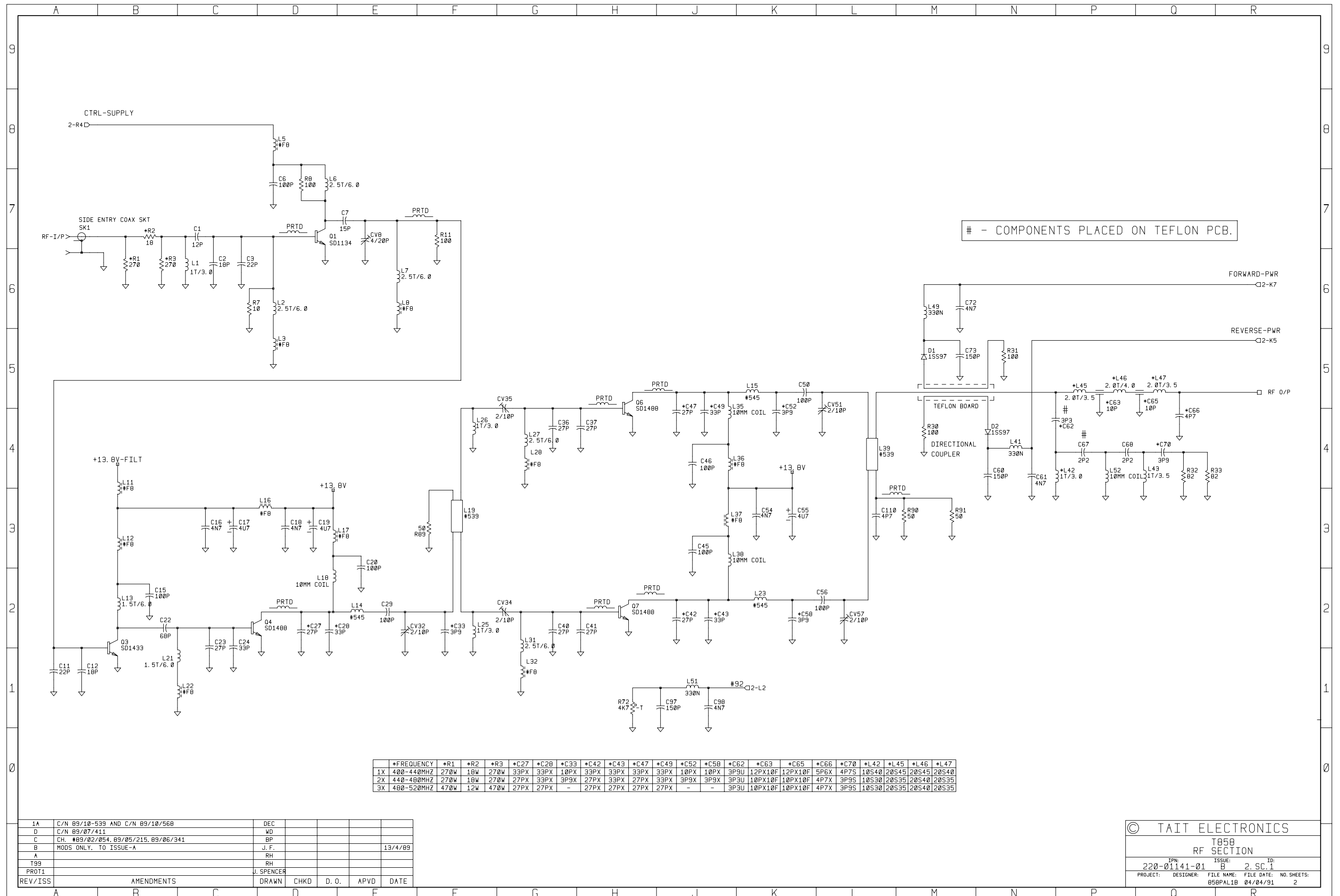




T858 PCB Layout  
Bottom Side  
220-01141-01

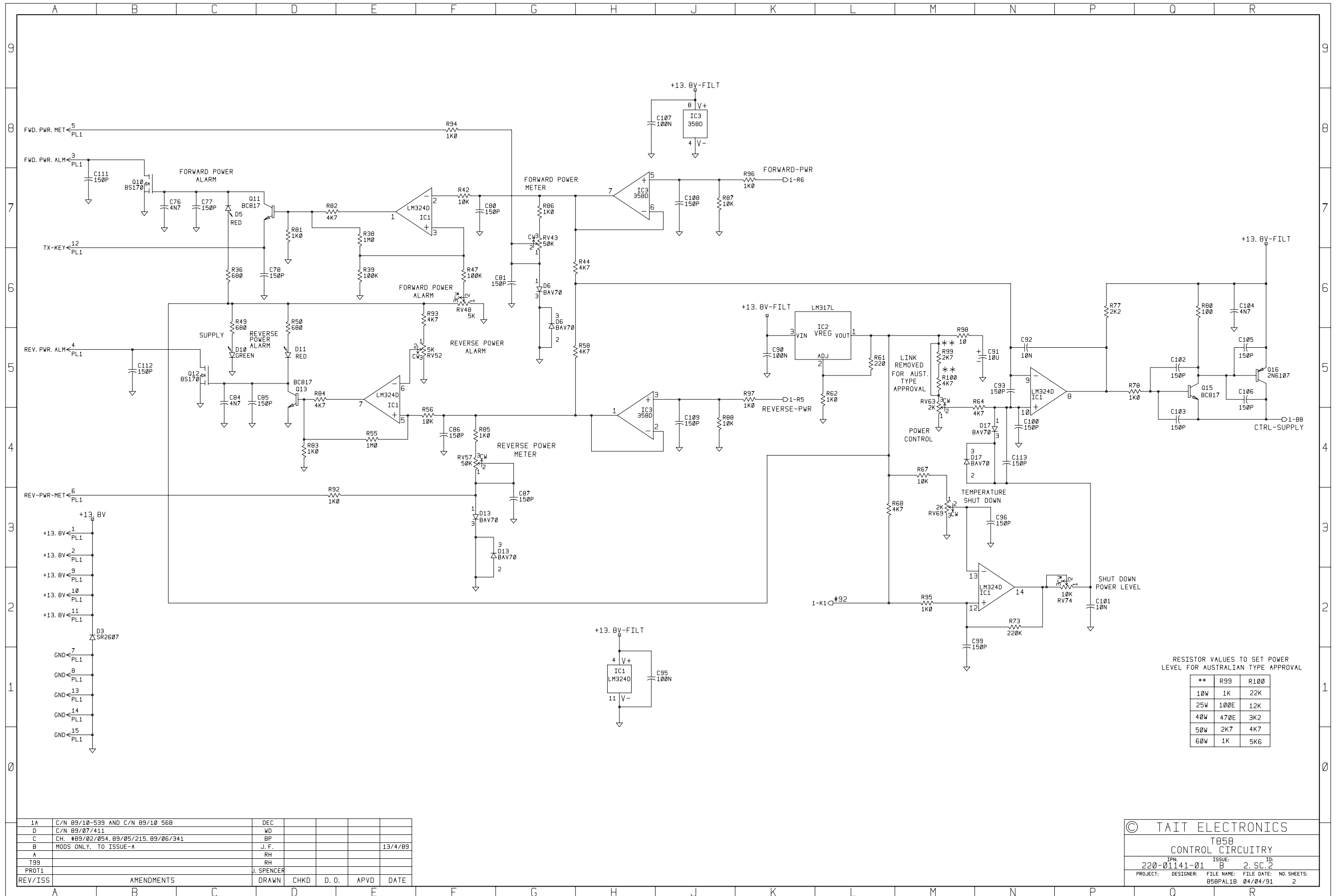


**T858 PCB Layout  
Top Side  
220-01141-01**



1A	C/N 89/10-539 AND C/N 89/10/568	DEC			
D	C/N 89/07/411	WD			
C	CH. #89/02/054, 89/05/215, 89/06/341	BP			
B	MODS ONLY. TO ISSUE-A	J. F.		13/4/89	
A		RH			
T99		RH			
PROT1		J. SPENCER			
REV/ISS	AMENDMENTS	DRAWN	CHKD	D. O.	APVD DATE

© TAIT ELECTRONICS	
T858	
RF SECTION	
ISSUE: B	ID: 2.SC.1
PROJECT: 220-01141-01	DESIGNER: B
FILE NAME: 05BPAL1B	FILE DATE: 04/04/91
NO. SHEETS: 2	



1A	C/N 89/10-539 AND C/N 89/10 568	DEC			
D	C/N 89/07/411	WD			
C	CH. #89/02/854, 89/05/215, 89/06/341	BP			
B	MODS ONLY. TO ISSUE-A	J. F.			13/4/89
A		RH			
T99		RH			
PROT1		J. SPENCER			
REV/ISS	AMENDMENTS	DRAWN	CHKD	D. O.	APVD

© TAIT ELECTRONICS	
T858 CONTROL CIRCUITRY	
IPN: 220-01141-01	ISSUE: B 2 SC.2
PROJECT: DESIGNER: 858PAL1B	FILE NAME: FILE DATE: 04/04/91
	NO. SHEETS: 2